

LUXAFLEX® ROLLER BLINDS WITH *Qmotion* TECHNOLOGY



SIMPLY **SMARTER** BY DESIGN

Luxaflex®
WINDOW FASHIONS



LUXAFLEX® Qmotion TECHNOLOGY *Features & Benefits*

INTRODUCTION

Luxaflex® Roller Blinds with Qmotion Technology were designed with a focus on reducing the total cost of motorisation for the home owner. It is the only super quiet battery operated blind on the market that offers batteries inside the roller tube. The result, is a perfectly balanced roller blind system using an integrated battery powered motor to operate the blind quietly and seamlessly. Qmotion Technology offers a level of integrated motorisation never before seen, being the first of its kind in the window covering industry.

Luxaflex Roller Blinds with Qmotion Technology is today's answer to beautifying and simplifying automation for window coverings by providing:

- Clean appearance without wires or cords
- Symmetrical light gaps at only 14mm on each side
- Low-cost installation and maintenance
 - **no electrician required!**
- Super quiet operation
- Compatibility with a range of home automation systems
- Multiple control options:
 - The blind can be operated by a remote control or,
 - Moved by hand to a desired position manually
- Long battery life (up to 5 years)* on standard alkaline batteries

Installing Luxaflex Window Fashions with Qmotion Technology is simple – no wires to run, no special tools required and no hard-to-find proprietary batteries.

* Based on 4 movements per day on a blind 1.8m x 2.4m

Luxury and safety of automated blinds



LUXAFLEX® Qmotion TECHNOLOGY *Features & Benefits*

BREAKTHROUGH TECHNOLOGY

With Qmotion Technology, we have reinvented how motorised roller blinds operate by housing precision ball bearings in each roller blind tube. This innovative design minimises friction, reducing the amount of power needed to raise and lower the shade and thereby making batteries last for up to five years – an industry first. Qmotion Technology roller blinds operate with standard alkaline batteries that are discreetly housed inside the shade tube, yet are easy to replace when new batteries are required, and yes, batteries are included!

Unlike conventional motorised shades, Qmotion Technology roller blinds are remarkably quiet. Their movement is smooth, virtually silent, without the typical jarring sounds associated with some older technology motorised roller blinds.

As Qmotion Technology roller blinds are cordless, they are child and pet safe and ideal for hospitals, daycare centres, schools and residential use.

DUAL-OPERATING FUNCTION

In another industry first, Qmotion Technology roller blinds feature a unique dual-operating function. The roller blind will operate with or without a wireless remote controller. Without the remote controller, the roller blind is adjusted by applying a short downward pressure to the bottom bar, which activates the motor and moves the roller blind to a fully open or to the pre-programmed intermediate position. When longer downward pressure is applied to the bottom bar, the shade will stay at the new lower position.

IMPRESSIVE BATTERY PERFORMANCE

The power source is via D cell Alkaline (regular off the shelf) batteries. Additional Qmotion Technology improves the sleep time of the inbuilt radio (RF) receiver, so that battery life lasts up to 5 years* of operation.

The D cell batteries are stored inside the roller tube and are accessible by pulling down on the shade fabric to reveal the exposed extrusion (and battery cut out) to replace batteries. Best of all, the blind does not need to be removed from the window to do this.



* Based on 4 movements per day on a blind 1.8m x 2.4m

Qmotion *Remote Control*

1 CHANNEL REMOTE INCLUDES WALL DOCK

- 5 buttons to support UP, DOWN, 25%, 50% and 75% increments
- Long life convenient CR 2032 3V Lithium coin cell battery
- Magnetic back for simple storing on wall plate
- Control unlimited number of Blinds in 1 group



7 CHANNEL REMOTE INCLUDES WALL DOCK

- Up to 6 individual or group settings, plus 1 all channels (channel 7)
- Each group support UP, DOWN, 25%, 50% and 75% increments
- Up to 3 custom presets
- LED Feedback
- Motion activated group indicator



QCONNECT AUTOMATION GATEWAY

- RS-232 Serial and 485 Serial
- Dry contact interface. 1 group
- 15 group control when used with serial interface
- 9V DC power pack or power over CAT5 cable



QSYNC

- Control for Apple iOs devices
- Transmission range 15 metres
- 9V DC power adapter
- Control up to 450 blinds or groups



QREPEATER EXTENDS RF SIGNAL

- Extends RF signal in range limiting environments
- Can extend a single channel or all RF signals
- Includes 5 volt power supply



QSYNC *Features & Benefits*

SMARTPHONE CONTROL FOR QMOTION TECHNOLOGY

Our smartphones and tablets are increasingly important in our daily lives. Qmotion Technology blinds are as convenient to control as your phones.

With the addition of Qsync technology, Qmotion Blinds move up and down easier than sending a text message.

Qsync works with the Qmotion App available in your app store today. It transforms a smartphone or tablet into the most elegant and functional transmitter for Qmotion Blinds.

Simple and easy to set up:

- Download the latest version of the software for Apple iOS.
- Smartphone and Tablet control from many units on the same Qsync network system.
- Plug the Qsync into the network, and it sends Qmotion commands as a standard transmitter would.
- Use names to identify windows, groups or zones.
- Create groups of blinds that can be controlled with the App together.
- Control up to 450 blinds or groups from each Qsync.
- Setup once on a single device, then the settings load to the other smartphones and tablets automatically.



PRODUCT INFORMATION:

Qsync

Transformer Voltage:

9V DC power adapter

Connections:

Ethernet through RJ-45

Maximum Shade Groups:

Over 450

Transmission Range:

15 metres (dependant on structures and walls between Qsync and device)

Special:

App available for Apple iOS devices;
available soon for Android device



UREMOTE *Features & Benefits*

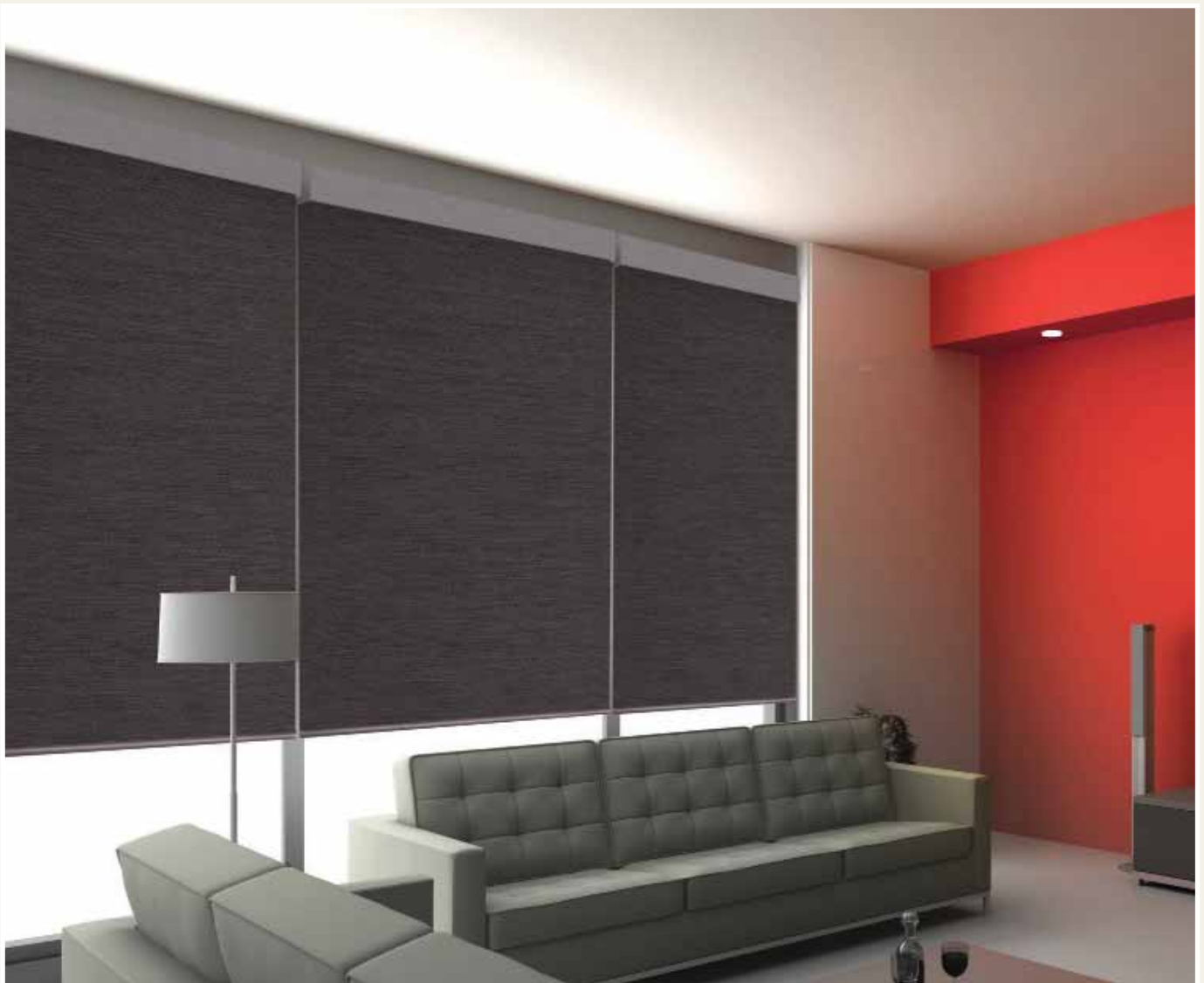
uREMOTE™ FOR QMOTION

uRemote™ is the ability to control all of your home electrical devices from an Apple or Android supported device. Qmotion supports uRemote with the use of the QConnect Automation gateway.

The QConnect Automation gateway is connected to the uRemote control box.

An iPhone, iPad or iPod touch communicates with the uRemote box via your home internet router.

For more information on this solution contact uRemote on 1300 222 266.



Qmotion *Bracket Options*

ROLL OPTIONS

The new universal bracket now supports reverse roll, standard roll, reveal and face fit.

NEW AND IMPROVED QMOTION BRACKETS

Elegant fabrics, clean lines and modern finishes create natural beauty for every window.

There are 2 new bracket sizes (66mm and 84mm) which now supports face fit, reverse roll. The 2 bracket sizes have been beautifully designed with a soft rounded edge and are available in 3 colour options, black, white and grey to suit your customers' requirements. Face fit brackets automatically come with colour coordinated covers.

The corresponding bracket size will be automatically included based on the roll diameter of the blind. E.g. Blinds with a roll diameter greater than 66mm will receive the larger roll diameter brackets. This is determined by fabric thickness and blind drop. Please refer to bracket guide on page 11.

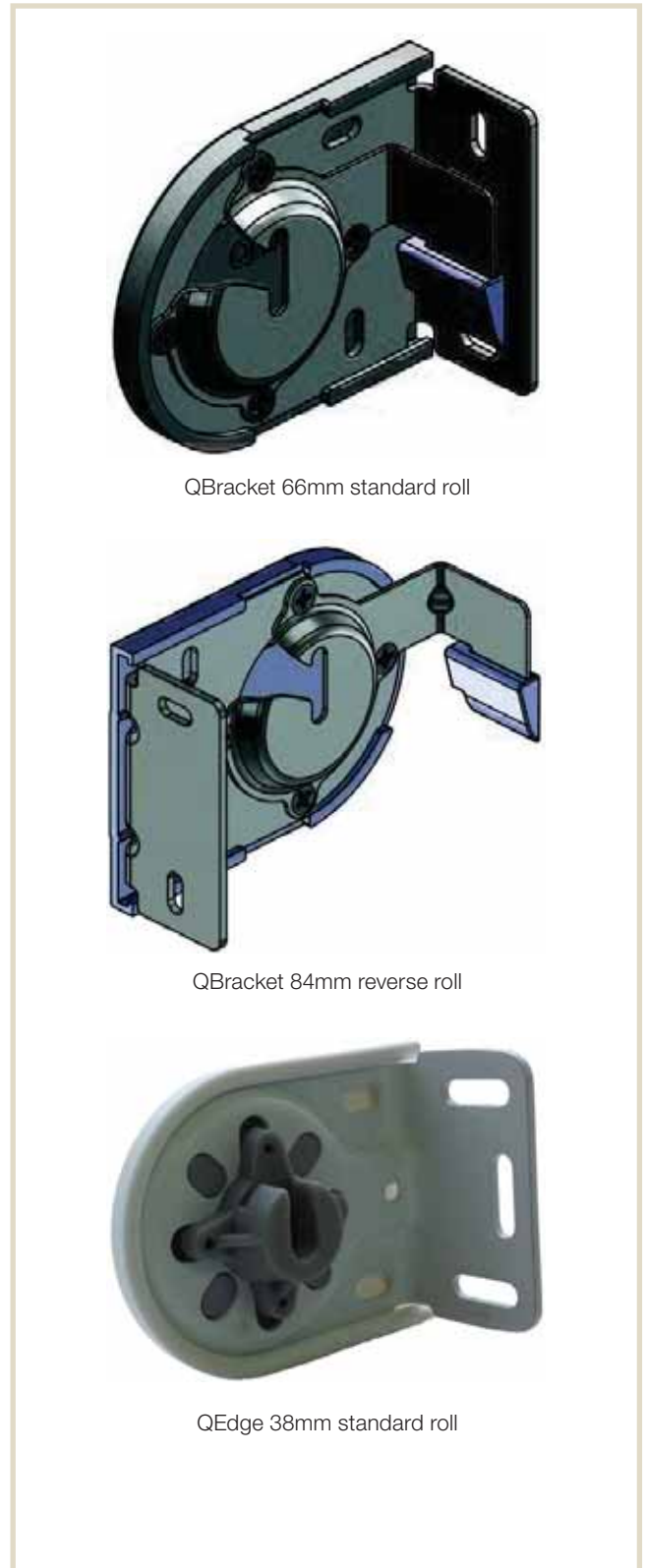
QEDGE BRACKET

Introducing NEW Edge bracket adapters. The Qmotion evolution continues with the addition of three EDGE bracket options to be used with Qmotion Technology.

- EDGE 38
- EDGE 46
- EDGE 55

The EDGE brackets have been developed to ensure a high quality sleek finish and creates a common appearance with other EDGE Technology chain operated roller blinds used throughout the house.

The Edge brackets are available in face and side mount for standard roll blinds only, and are available in four colour options – White, Black, Grey and Magnolia. Top fix and reverse roll options are not available. Light gaps increase to 19mm.



QBracket 66mm standard roll

QBracket 84mm reverse roll

QEdge 38mm standard roll

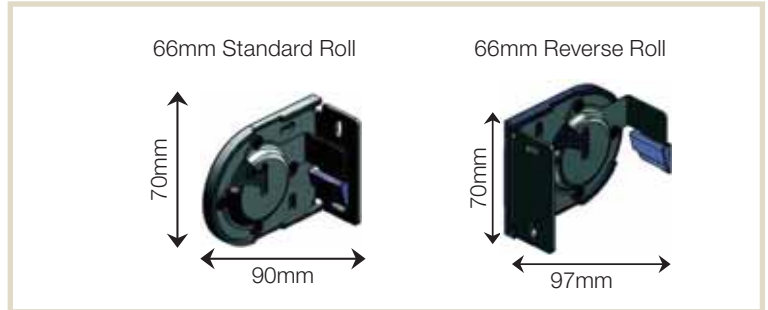
Qmotion *Bracket Options*

66MM QBRACKET STANDARD

Light gap = 14mm

Black, White, Grey

Bracket covers supplied for face installation only.

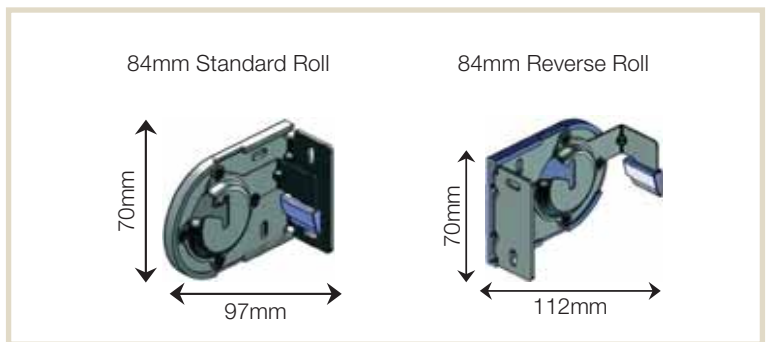


84MM QBRACKET STANDARD

Light gap = 14mm

Black, White, Grey

Bracket covers supplied for face installation only.



QEDGE BRACKET

Light gap = 19mm

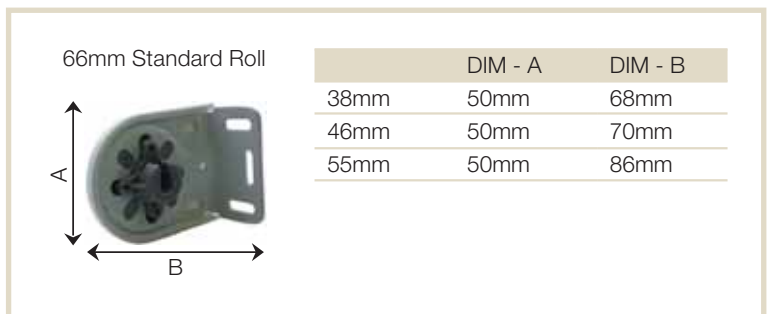
Standard roll only

Face Mount Or Side Mount

No top fix support.

Black, White, Grey, Magnolia

Bracket covers supplied for face installation only.

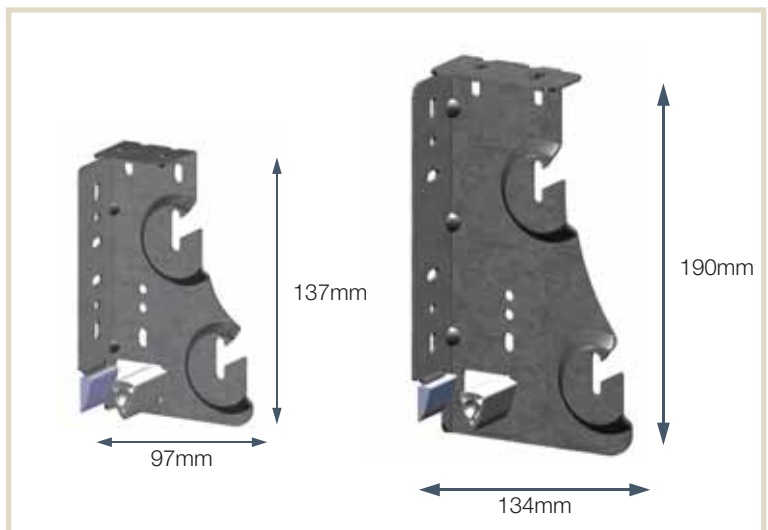


DUAL BRACKET

Standard roll only

Black, White, Grey

No bracket covers

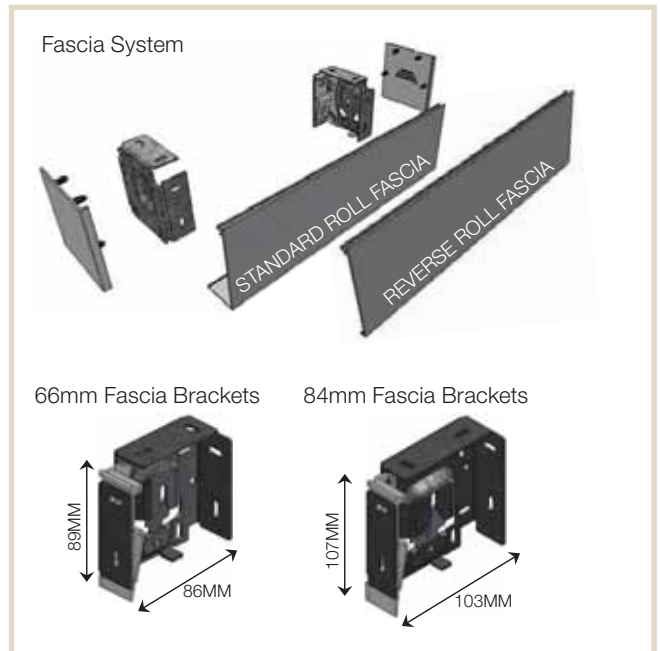


Qmotion FASCIA *Features & Benefits*

FINISHING TOUCHES FOR A BEAUTIFUL QMOTION EXPERIENCE

Introducing contemporary, slim lined colour-coordinated fascias which enhances both the form and function of the Qmotion Roller Blind. Easily mounted, fascias attractively conceal the roller blind system while adding to the light protection your blinds were designed to provide. They are appealing and practical, all in one!

- Choose from 3 colour options: White, Silver and Black
- All fascia orders include colour-coordinated end caps which provide a clean and uncluttered look when fascia is face mounted. (End caps are not included in reveal)
- Available in both standard and reverse roll
- Two sizes (automatically selected based on the drop of blind and thickness of fabric). Please refer to bracket guide on page 11.
- Easy installation with snap off front cover



Qmotion *Bracket Size Grid*

TUBE SIZES

All roller blinds under 2.5metres in length will be made with a 50mm diameter tube. Blinds wider than 2.5metres will be made with a 61mm diameter tube.

QBRACKET SIZE GRID

Blinds that fall within the dimensions below will be supplied with 66mm Qmotion brackets. All blinds outside of the dimensions below will receive 84mm Qmotion brackets.

QEDGE BRACKET SIZE GRID

The bracket size supplied when QEdge brackets are requested is given on the right side of the grid below.

QEdge brackets are only supported in standard roll face (or back) mount ONLY.

LUXAFLEX®	Thickness	Blind Width	Blind Drop Less Than	QEDGE BRACKET		
				38mm Blind Drop Less Than	46mm Blind Drop Less Than	55mm Blind Drop Less Than
Waratah	0.35mm	LESS THAN - 2500mm GREATER THAN - 2500mm	2900mm N/A	1100mm N/A	3000mm 2200mm	N/A 3000mm
Greenscreen® Balance Metallised 3%, Portobello Translucent, Lou Lou, Prague	0.41mm	LESS THAN - 2500mm GREATER THAN - 2500mm	2900mm N/A	1000mm N/A	3000mm 2300mm	N/A 3000mm
Ultraweave™ Plus, Marrakech Sheer, Bronte, Marrackech Translucent	0.46mm	LESS THAN - 2500mm GREATER THAN - 2500mm	3000mm N/A	1000mm N/A	3000mm 2200mm	N/A 3000mm
Santiago – Revolve, Santiago – Lineage, Atmosphere, Omniscreen, Moorea, Havana Translucent, Hyams	0.50mm	LESS THAN - 2500mm GREATER THAN - 2500mm	2700mm N/A	700mm N/A	3000mm 2000mm	N/A 3000mm
Palais, Barkly Translucent, Proscreen, Acacia, Matrix, GREENSCREEN® Xceed, GREENSCREEN® Duotone	0.55mm	LESS THAN - 2500mm GREATER THAN - 2500mm	2450mm N/A	700mm N/A	3000mm 1700mm	N/A 3000mm
Caspian Translucent, Versailles Translucent, Soltec, Neotec, Sunseeker Translucent, Countryshade Blockout	0.60mm	LESS THAN - 2500mm GREATER THAN - 2500mm	2200mm N/A	700mm N/A	3000mm 1500mm	N/A 3000mm
Westcoast, Mauritius, Harper, T500, Pacific, Temple Translucent, Kruger Translucent, Westcoast	0.66mm	LESS THAN - 2500mm GREATER THAN - 2500mm	1900mm N/A	700mm N/A	3000mm 1500mm	N/A 3000mm
Portobello Blockout, Havana Blockout, B500, Versailles Blockout, Sunseeker Blockout	0.70mm	LESS THAN - 2500mm GREATER THAN - 2500mm	1850mm N/A	500mm N/A	3000mm 1300mm	N/A 3000mm
Caspian Blockout, Barkly Blockout, Temple Blockout, Kruger Blockout	0.80mm	LESS THAN - 2500mm GREATER THAN - 2500mm	1550mm N/A	500mm N/A	2500mm 1100mm	3000mm 3000mm
Teloepa Blockout	0.90mm	LESS THAN - 2500mm GREATER THAN - 2500mm	1350mm N/A	500mm N/A	2200mm 1100mm	3000mm 3000mm

*This table is an indication only of the expected bracket size supplied with the blind.





SYMMETRICAL 14MM LIGHT GAPS (Qbracket)

NO WIRES OR BULKY MOTOR.



BATTERIES STORED INSIDE THE BLIND

SMOOTH CLEAN FINISH

Qmotion *Measurement Guide*

Luxaflex Roller Blinds with Qmotion Technology are built with precision to ensure that each blind is perfectly balanced for a long life of operation. In order to ensure that the impressively small light gaps on each side of the blind are maintained, accurate measurements are critical.

Please follow the measurement guidelines below.

- Measure opening to be covered vertically and horizontally in three places.
- If vertical or horizontal measurements vary by more than 12mm we recommend face mounting the blind.
- Measure and compare diagonals to ensure the opening is square. If corner to corner diagonals vary by more than 12mm, we recommend face mounting the blind.

REVEAL MOUNT

Use the top horizontal measurement for the width (outside of Bracket to outside of Bracket). Use the largest vertical measurement for height.

The blind will be made to suit your window opening.

FACE MOUNT

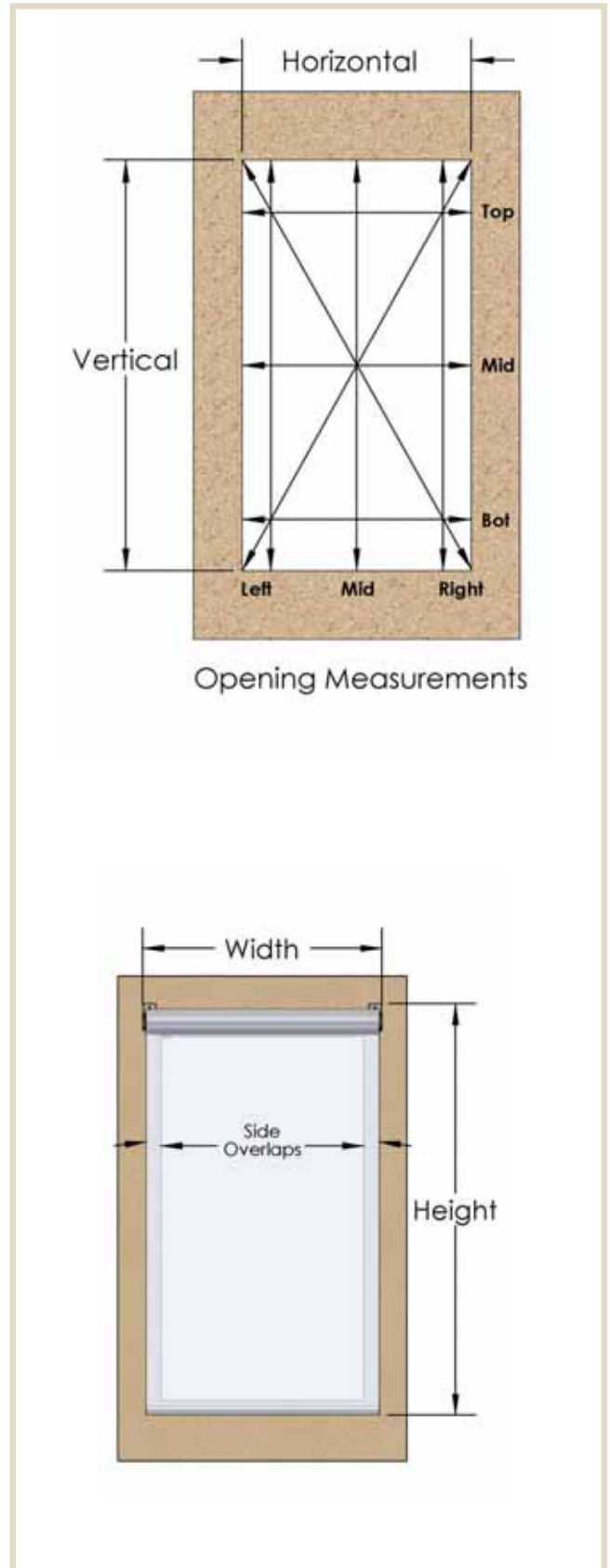
Determine the required width to cover the opening.

Face mount on architrave

- Width equals edge to edge of architrave
- Drop equals top to bottom of architrave

Face mount no architrave

- Opening Width plus 100mm
- Opening drop plus 50mm



MANUAL HAND OPERATION

Pull down on bottom bar approximately
50mm



Blind rolls up to full open position

MANUAL HAND OPERATION

Pull down on bottom bar MORE than 50mm



Blind stays at new lower position

MANUAL HAND OPERATION

Slight downward pressure on bottom bar
10mm to 20mm



Blind rolls up to next intermediate
position

There are 2 versions of the Qmotion software - your blind will have either software A or B. Identify your version by performing the test below, and then follow the relevant section for specific programming instructions. Pair a Remote Control to the blind first (Instructions are universal for Software Version A and B)

PAIR REMOTE CONTROL

Gently pull down on the bottom bar to expose the battery cut-out on the blind tube. Place a hand firmly on the blind tube to stop the blind automatically retracting. The blind will hesitate, and then stall, allowing you to gain access to the battery insert. Remove the Battery cover (if installed).

REMOVE ONE BATTERY AND REINSERT THE BATTERY.

Remove one battery and reinsert the battery.

The blind is now in Pairing Mode for 1 minute.

Press and HOLD the UP button on the remote control for 8 seconds, or if using the multichannel remote, select the required channel number first then press and HOLD the UP button for 8 seconds. The blind will retract to signal the remote control is paired.

SET BOTTOM LIMIT

- Press the DOWN button on the remote to send the blind to the default bottom limit.
- Press and HOLD the DOWN button for 8 seconds. The blind will “jog” up and down.
- Pull down on the bottom bar to move the blind to the required bottom limit.
- Press and HOLD the DOWN button for 8 seconds. The blind will retract to the full open position and the bottom limit will be set.

INTERMEDIATE STOPS

The three intermediate stops will be automatically set, once the bottom limit is set.

TEST FOR SOFTWARE VERSION A OR B

Press the UP Button on the Remote Control to ensure the blind is in the full UP position.

Press and HOLD the UP button on the Remote Control.

If the blind moves down approximately 30cm or more then hesitates and moves UP – VERSION A

If the blind moves down approximately 10cm and then hesitates and moves UP – VERSION B

Once you have determined your Software Version, press UP to place the blind back in the full UP position.

SOFTWARE VERSION A

ADD ADDITIONAL REMOTE CONTROL TO BLIND

- On the first remote control already paired to the blind, press the UP button to send the blind to the full open position. Press and HOLD UP button for 10 seconds.
- Blind will move to the 75% closed position.
- Pull down on the bottom bar more than 50mm.
- Press and HOLD the UP button on the new remote control to be paired for 8 seconds. Blind will move to the full open position and the second remote control is now paired.

REMOVE BLIND FROM REMOTE CONTROL

- On the first remote control already paired to the blind, press the UP button to send the blind to the full open position. Press and HOLD UP button for 10 seconds.
- Blind will move to the 75% closed position.
- Pull down on the bottom bar more than 50mm.
- Press and HOLD the DOWN button on the new remote control to be paired for 8 seconds. Blind will move to the full open position and is now removed from the remote control.

RESET BLIND – CLEARS LIMITS AND REMOTE CONTROL PAIRING

- Press the UP button to send the blind to the full open position.
- Press and HOLD the UP button. Continue to hold the UP button on the remote control until the blind goes down and then changes direction and begins moving up.
- When the blind begins moving UP, release the UP button. The blind will return to the 25% closed position.
- Within 15 seconds pull down on the bottom bar by more than 50mm.
- The blind bottom limit is now reset and any remote control pairing is deleted.
- The blind will remain in pairing mode for up to 1 minute. To re pair the remote control, press and HOLD the UP button for 8 seconds.

SOFTWARE VERSION B

ADD ADDITIONAL REMOTE CONTROL TO BLIND

- On the first remote control already paired to the blind, press the UP button to send the blind to the full open position. Press and HOLD UP button for 10 seconds.
- The Blind will move down approximately 10cm then Back UP. Keep holding the UP Button.
- Blind will now move to the 75% closed position, release the UP button as the blind is travelling towards the 75% closed position. When the blind has stopped moving, pull DOWN on the bottom bar more than 50mm.
- Press and HOLD the UP button on the new remote control to be paired for 8 seconds. Blind will move to the full open position and the second remote control is now paired.

REMOVE BLIND FROM REMOTE CONTROL

- On the remote control that you wish to remove the blind from, press the UP button to send the blind to the full open position. Press and HOLD UP button for 10 seconds.
- The Blind will move down approximately 10cm then Back UP. Keep holding the UP Button.
- Blind will now move to the 75% closed position, Release the UP button as the blind is travelling towards the 75% closed position. When the blind has stopped moving, pull DOWN on the bottom bar more than 50mm.
- Press and HOLD the DOWN button on the remote control for 8 seconds. Blind will move to the full open position and will now be removed from the Remote Control.

RESET BLIND – CLEARS LIMITS AND REMOTE CONTROL PAIRING

- Press the UP button to send the blind to the full open position. Press and HOLD UP button.
- The blind will move down approximately 10cm then Back UP. Keep holding the UP Button. Blind will now move to the 75% closed position. Keep holding the UP Button.
- The Blind will PAUSE at the 75% position and then begin moving in the Opposite direction. When the shade has started moving in the opposite direction from 75%, release the UP button.
- When the blind has stopped moving, pull DOWN on the bottom bar more than 50mm.
- The blind bottom limit is now reset and any remote control pairing is deleted.
- The blind will remain in pairing mode for up to 1 minute. To re-pair the remote control, press and HOLD the UP button for 8 seconds.

Qmotion *Limitations*

Product	Roller blind	Translucent, Blockout and Sunscreen fabrics
Size Limitations	Minimum Size Maximum Size	650mm wide x 600mm drop 3000mm wide x 3000mm drop
Power Options	Battery – D Cell Alkaline Batteries Included	4 Batteries - Blinds < 1 metre wide 6 Batteries – Blinds 1 metre to 2.5 metres wide 8 Batteries – Blinds 2.5 metres to 3 metres wide
Battery Life	Up to 5 years*	User changeable without removing the blind *Estimate based on 4 movements per day on a blind 1.8m x 2.4m.
Mounting type	Reveal or Face Fit	Universal bracket supports both reveal and face fit installations, as well as standard and reverse roll.
Bracket type	QBracket	(UB) Universal Bracket – Standard roll, Reverse roll, Face mount, top and side supported. 2 Bracket sizes 66mm and 84mm diameter capacity available in Black, White, Grey. Bracket covers supplied for face fit installation. (DB) Dual Bracket – Standard Roll both blinds. Roll diameter size 64mm and 94mm
	QEdge	Standard roll only Side or back mount only Bracket size 38mm, 46mm, 55mm Available in Black, White, Grey, Magnolia Bracket covers supplied for face fit installation.
	Fascia	Side, top and face mount compatible 2 Bracket sizes 66mm and 84mm Reverse roll and Standard roll fascia covers Available in Black, White, Silver (Anodised) Fascia end caps supplied for face fit installation.
Bottom Rail	Ellipse	Ellipse standard colour options
Control	Remote Control	1 Channel 7 Channel
	Manual Control	Pull blind down to any lower position Pull downward on bottom bar (approximately 50mm) – Blind rolls up to full open position Slight downward pressure on bottom bar – Blind rolls up to next intermediate position
	Automation	Qconnect Automation Gateway for Uremote and other automation systems QSync Apple iOS device supported
	Repeater	QRepeater- Repeats RF Signal for range limited installations

Qmotion *General Information*

5 YEAR WARRANTY*

Luxaflex Roller Blinds with Qmotion Technology are covered by a 5 year warranty* (excluding batteries). *Refer to www.luxaflex.com.au for Warranty document.

CARE AND CLEANING

1. Surface dust may be removed with a gentle brush, feather duster or clean, dry cloth.
2. Wipe with a dry sponge.
3. An art gum rubber is excellent for removing small marks.

BATTERY REPLACEMENT

Over time your Qmotion Blind may start to roll much slower when moving both up and down. This may indicate it is time to change the batteries. When batteries require replacement, it is possible to replace the batteries without removing the blind from the brackets.

To activate the battery replacement process

- Press down button on the remote to send the blind to the fully down position
- When the blind is fully down, pull down gently on the fabric to expose the battery opening on the aluminium tube
- Release the fabric/blind and the blind will return to the 75% closed position
- Pull down gently on the fabric to expose the aluminium tube and battery opening a second time, and the blind will remain in that position (without retracting)
- Replace the batteries by sliding them along and out through the opening
- Replace all batteries with similar D Cell Alkaline long life batteries, ensure that the positive (+) terminal on the battery is facing the opening
- Once complete, press the UP button on the remote and the blind will resume operation



SAFETY INFORMATION

Luxaflex Roller blinds with Qmotion Technology do not contain cords or cord loops, so they are perfect for use in environments with children or pets.

As with any electronic device:

- This appliance is not intended for use by persons (including children) with reduced physical, sensory or mental capabilities, or lack of experience and knowledge, unless they have been given supervision or instruction concerning use of the appliance by a person responsible for their safety.
- Young children should be supervised to ensure that they do not play with the appliance.

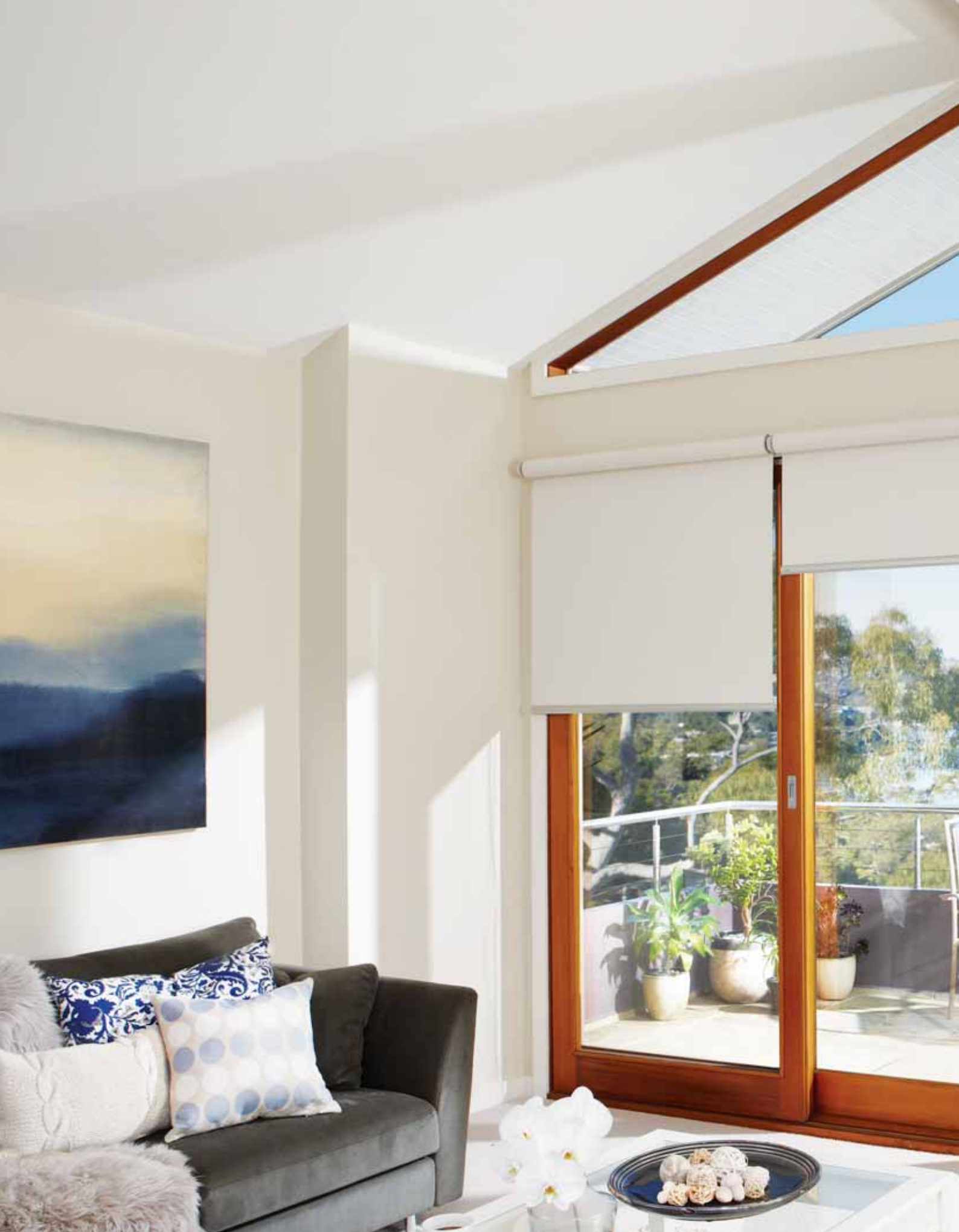
© Copyright 2013 Hunter Douglas Limited [ABN 98 009 675 709]

© Registered Trade Marks of Hunter Douglas Limited

TM Hunter Douglas Limited has applied for the registration of the Trade Mark ULTRAWEAVE

™AAACOM Pty Ltd [ABN 24 102 483 929] has applied for the registration of the Trade Mark uRemote

Apple, iPhone, iPad and iPod touch are trade marks of Apple Inc., registered in the U.S. and other countries [08.2013]



SMARTER BY DESIGN

Luxaflex[®]
WINDOW FASHIONS